

CSFR60

60cm front re-circulating slide out range hood



SIZE mm	600W
FINISH	stainless steel
CAPACITY	310m ³ /hr net airflow
FEATURES	<ul style="list-style-type: none"> • maximum airflow (m³/h): 350m³/hr net • noise (dB): 65 maximum • maximum power consumption 180W • slider controls • aluminium filter • 2 anti-grease filters • 3 extraction levels • 1 x E-14 energy-saving 9W lamp • 120mm outlet diameter • installation with outlet tube to the exterior/recirculating • easy installation system • standard 40mm aluminium front rail supplied: extra 70mm rail also included for use in recirculating mode



*Optional 60cm front rail — supplied in box
70mm high
20mm deep (side)
20mm deep (top)
600mm wide*

Rangehood extraction rate m³/hr reading is measured at 1m duct up, 1x90° C bend and 1m vertical duct

EAN9341584035295

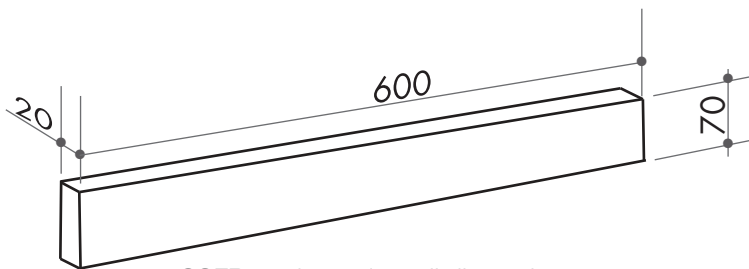
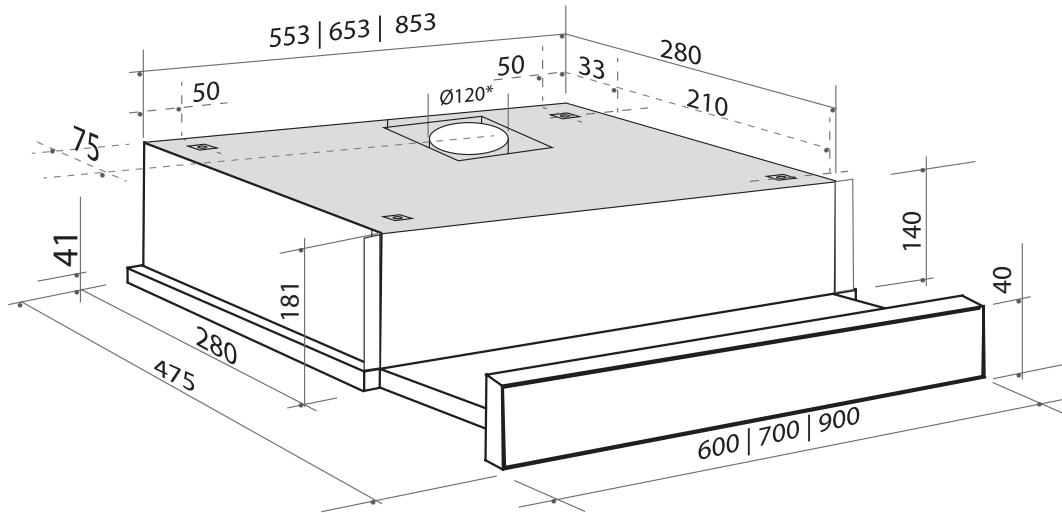
DISCLAIMER

Eurolinx Pty Ltd, trading as ILVE Appliances, is continually seeking ways to improve the design specifications, aesthetics and production techniques of its products. As a result alterations to our products and designs take place continually. Whilst every effort is made to produce information and literature that is up to date, this brochure should not be regarded as an infallible guide to the current specifications, nor does it constitute an offer for the sale of any particular product. Product dimensions indicated in our literature is indicative only. Actual product only should be used to define dimension cutouts. Distributors, and retailers are not agents of ILVE Appliances and are not authorized to bind ILVE Appliances by any express or implied undertaking or representation.

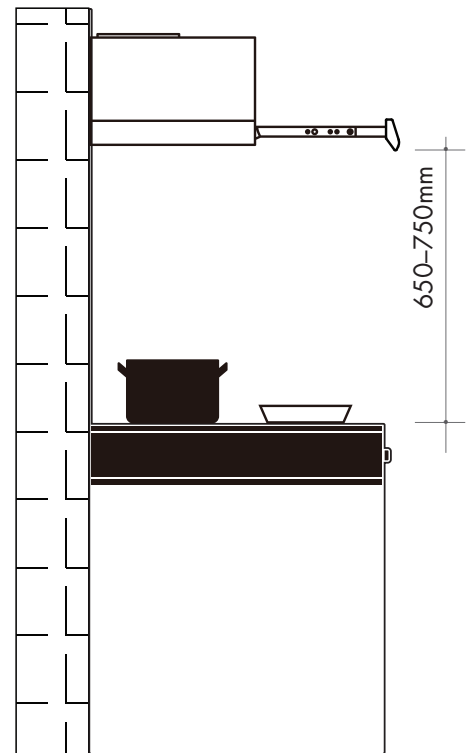
IL180418

CSFR60

60cm front re-circulating slide out range hood



CSFR60 alternative rail dimensions



NB: drawings are not to scale — they are to be used as a guide only. For full installation instructions, please refer to user manual.

FOLLOW US ON:

 [facebook.com/ILVEappliances](https://www.facebook.com/ILVEappliances)

 [instagram.com/ILVE_appliances](https://www.instagram.com/ILVE_appliances)

 [youtube.com/ILVEappliances](https://www.youtube.com/ILVEappliances)

 [BLOG livewithilve.com](https://www.livewithilve.com)

Australia National Telephone Number 1300 MYILVE (694 583) New Zealand Telephone Number 64 3 344 5913

ILVE showroom hours: Tuesday to Friday - 9am-5pm, Saturday - 10am-4pm, Sunday and Monday - closed

* Melbourne showroom hours: Tuesday to Saturday - 10am-4pm

[ilve.com.au](https://www.ilve.com.au)

NSW & ACT (Head Office)
48-50 Moore Street
Leichhardt
F 02 8569 4699

VIC & SA
1211 Toorak Road
Camberwell
F 03 9809 2155

QLD
1/42 Cavendish Road
Coorparoo
F 07 3397 0850

WA & NT
Unit 10/55 Howe Street
Osborne Park
F 08 9201 9188

TAS
3 Pear Avenue
Derwent Park
P 03 6272 7386

New Zealand
PO Box 11.160
Sockburn Christchurch
F 03 344 5906