

CAG640XFFD

60cm gas cooktop with FFD



<b>SIZE mm</b>	580W x 475D x 50H CUTOUT: 560W x 460D	
<b>FINISH</b>	stainless steel	
<b>CAPACITY</b>	wok:	NG: 3.1 kW/hr ULPG: 2.8 kW/hr
	auxiliary:	NG: 1.1kW/hr ULPG: 1.0 kW/hr
	2 x semi-rapid:	NG: 1.9 kW/hr ULPG: 1.7 kW/hr
	<b>TOTAL:</b>	NG: 8.0 kW/hr ULPG: 7.2 kW/hr



- FEATURES**
- topmount
  - 4 gas burners, including wok
  - stainless steel
  - cast-iron trivets, wok cradle and burner caps
  - flame failure device fitted to each burner
  - automatic electronic ignition

**POWER** 3-pin plug and cord length: 10 amp GPO required  
phase



EAN 9347777000200

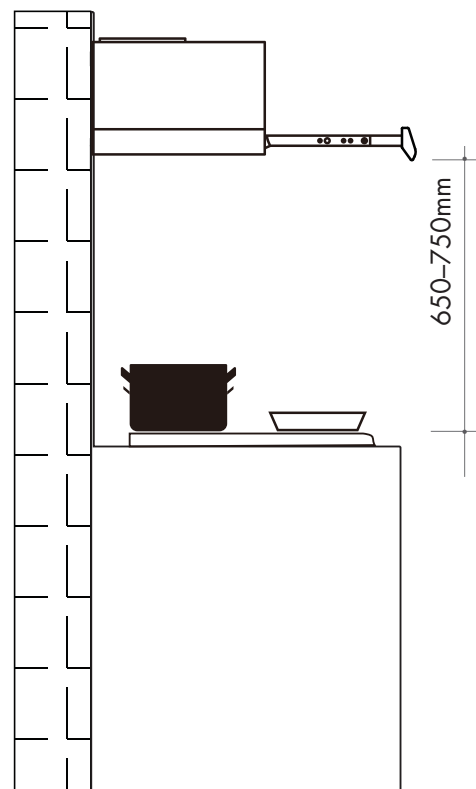
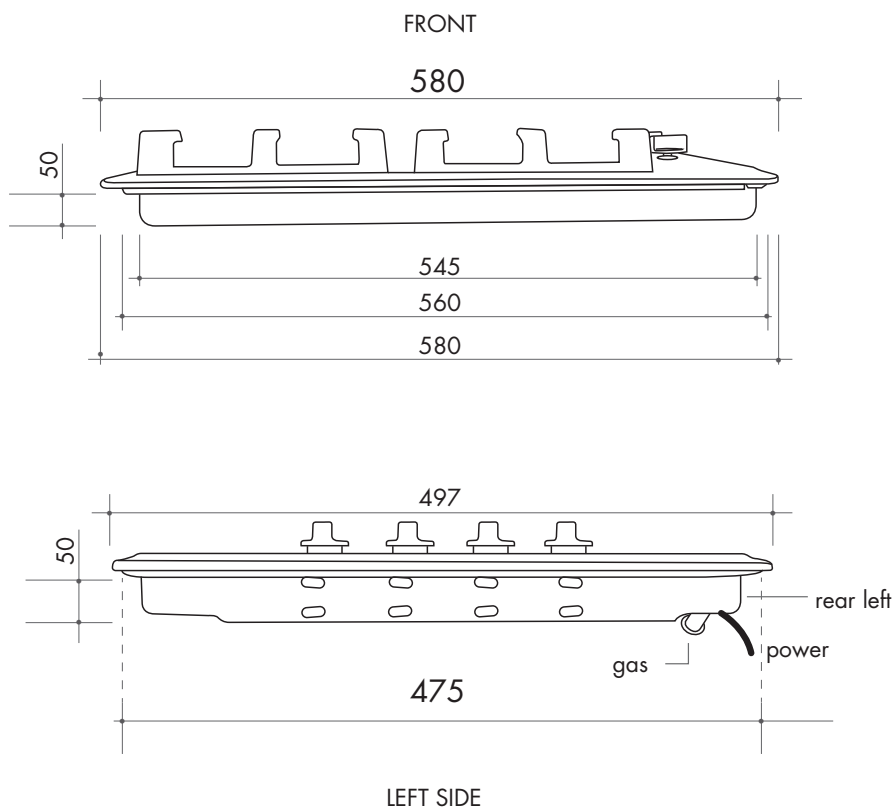
**DISCLAIMER**

Eurolinx Pty Ltd, trading as ILVE Appliances, is continually seeking ways to improve the design specifications, aesthetics and production techniques of its products. As a result alterations to our products and designs take place continually. Whilst every effort is made to produce information and literature that is up to date, this brochure should not be regarded as an infallible guide to the current specifications, nor does it constitute an offer for the sale of any particular product. Product dimensions indicated in our literature is indicative only. Actual product only should be used to define dimension cutouts. Distributors, and retailers are not agents of ILVE Appliances and are not authorized to bind ILVE Appliances by any express or implied undertaking or representation.

AR171115

CAG640XFFD

60cm gas cooktop with FFD



NB: drawings are not to scale — they are to be used as a guide only

Australia National Telephone Number 1300 649 583 New Zealand Telephone Number 0508 458 369  
 ARTUSI showrooms are open daily from 9am-5pm and Saturdays 10am-4pm

[artusi.com.au](http://artusi.com.au)

**NSW & ACT (head office)**

48 Moore Street  
 Leichhardt  
 02 8569 4699

**VIC | TAS | SA**

1211 Toorak Road  
 CAMBERWELL  
 03 9809 2155

**QLD**

1/42 Cavendish Road  
 COORPAROO  
 07 3397 0850

**WA | NT**

10/55 Howe Street  
 OSBORNE PARK  
 08 9201 9188

**New Zealand**

PO Box 11.160  
 Sockburn Christchurch  
 03 344 5913