

**CAFG91X**

**90cm gas/electric freestanding cooker**

<b>SIZE mm</b>	895Wx597Dx769H (+95-160 adjustable legs)
<b>FINISH</b>	stainless steel
<b>CAPACITY</b>	104 litres

**ELECTRIC OVEN**

- FEATURES**
- 9 functions — top and bottom element, defrost, fan assisted, fan forced, fan grill, grill, rotisserie, base heat
  - 50-250°C thermostat
  - digital clock
  - triple-glazed glass door
  - electric grill
  - oven light
  - rotisserie
  - removable oven cavity floor
  - 4 cooking levels
  - baking tray
  - adjustable legs
  - warming drawer

**GAS HOB – 5 burners**

	natural gas kW/hr	ULPG kW/hr
semi rapid	1.2	1.2
auxiliary	1.1	1.0
rapid	3.1	3.2
triple-crown wok	3.5	3.6

**POWER**

flame failure device fitted to each burner  
 total gas consumption: 8.9/9.0 kW/hr  
 total electrical consumption: 4.3 kW/h  
 electrical connection: 15AMP  
 hard wired  
 220-240V, 50/60Hz



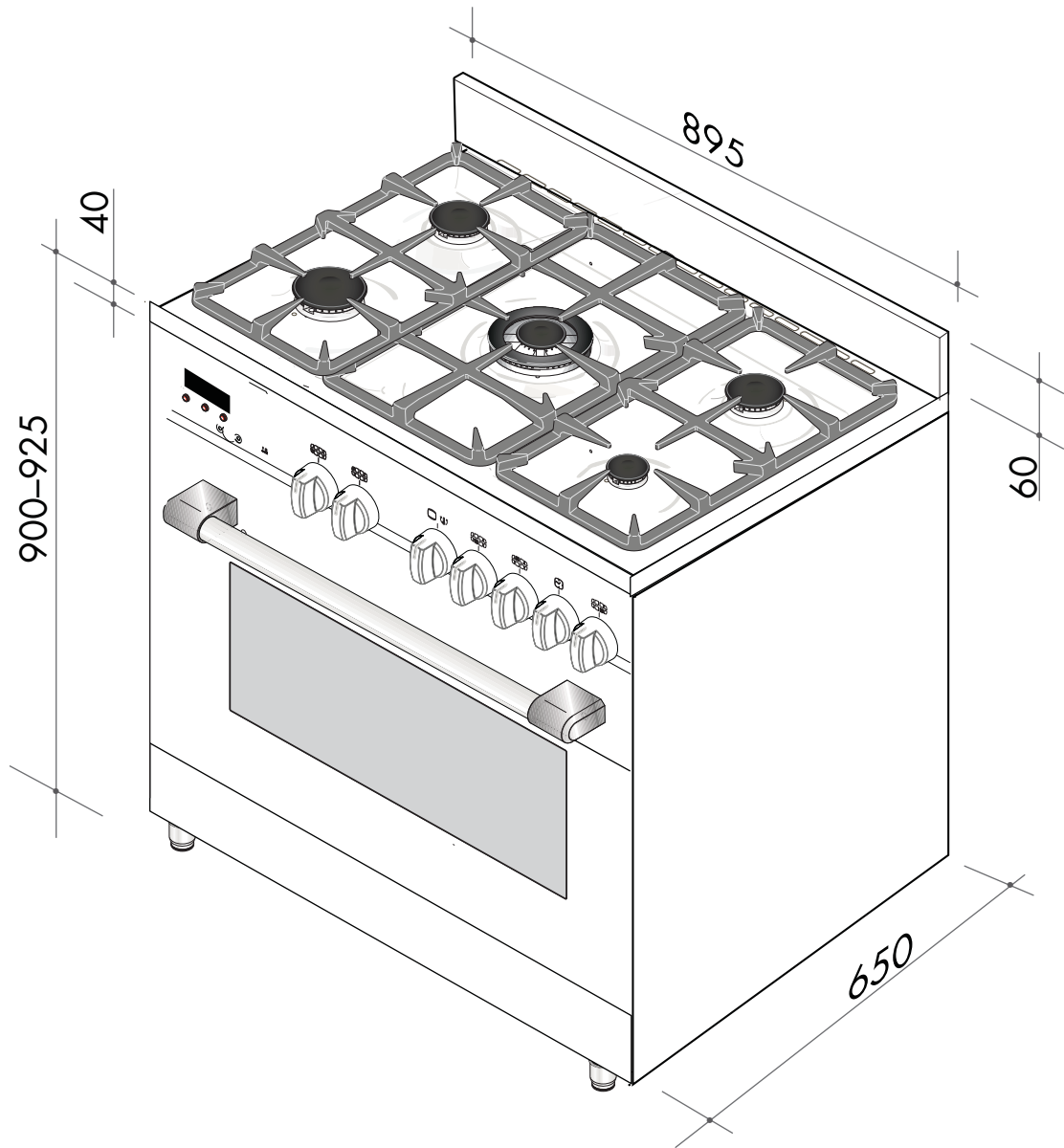
**EAN 9347777001009**

**DISCLAIMER**

Eurolinx PTY LTD is continually seeking ways to improve the design specifications, aesthetics and production techniques of its products. As a result alterations to our products and designs take place continually. Whilst every effort is made to produce information and literature that is up to date, this brochure should not be regarded as an infallible guide to the current specifications, nor does it constitute an offer for the sale of any particular product. Product dimensions indicated in our literature is indicative only. Actual product only should be used to define dimension cutouts. Distributors, and retailers are not agents of Eurolinx and are not authorized to bind Eurolinx by any express or implied undertaking or representation.

CAFG91X

90cm gas/electric freestanding cooker



NB: drawings are not to scale — they are to be used . For detailed installation instructions, please refer to user guide.

Australia National Telephone Number 1300 694 583 New Zealand Telephone Number 0508 458 369  
 ARTUSI showrooms are open Tuesday to Friday from 9am-5pm and Saturdays 10am-4pm

[artusi.com.au](http://artusi.com.au)

**NSW & ACT**  
(head office)

48 Moore Street  
 Leichhardt  
 02 8569 4699

**VIC | SA**

1211 Toorak Road  
 CAMBERWELL  
 03 9809 2155

**TASMANIA**

3 Pear Avenue  
 DERWENT PARK 7009  
 03 6272 7386

**QLD**

1/42 Cavendish Road  
 COORPAROO  
 07 3397 0850

**WA | NT**

10/55 Howe Street  
 OSBORNE PARK  
 08 9201 9188

**New Zealand**

PO Box 11.160  
 Sockburn Christchurch  
 03 344 5913