

## ASO600RX 60cm slideout rangehood

<b>SIZE mm</b>	598W x 158H x 280-460D
<b>FINISH</b>	AS430 fingerprint-proof stainless steel
<b>FEATURES</b>	<ul style="list-style-type: none"><li>• aluminium filters</li><li>• carbon filter included</li><li>• recirculation vent</li><li>• 3 speeds, slide control</li><li>• 270m<sup>3</sup>/hr airflow</li><li>• 2 x incandescent lightglobes</li><li>• 2 x front rails included (40mm   68mm)</li></ul>
<b>POWER</b>	10 amp electrical connection, GPO/hard connection

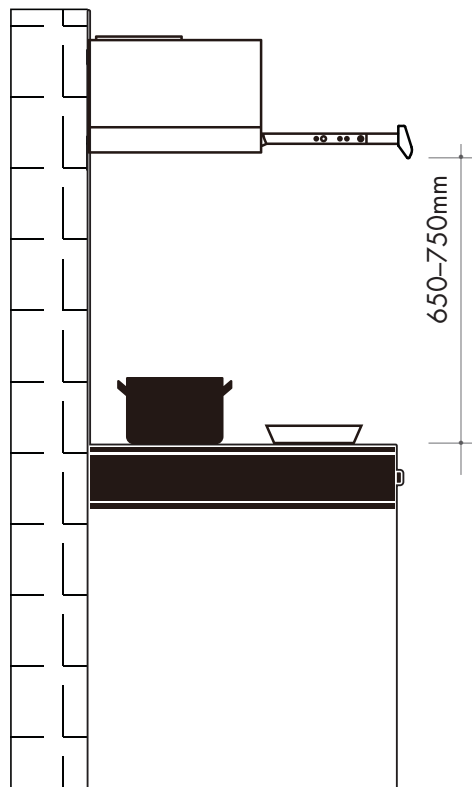
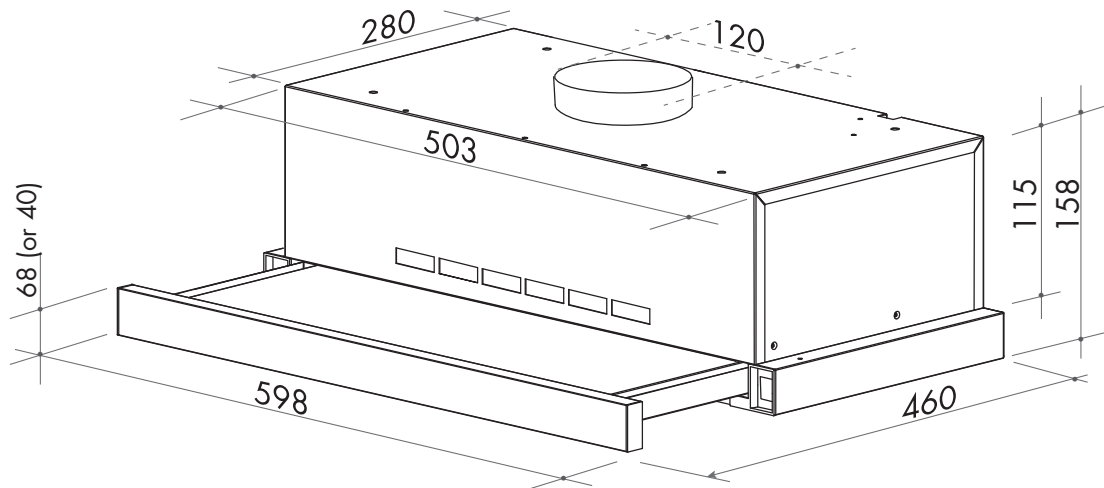


EAN 9347777000613

### DISCLAIMER

Eurolinx Pty Ltd, trading as ARTUSI Appliances, is continually seeking ways to improve the design specifications, aesthetics and production techniques of its products. As a result alterations to our products and designs take place continually. Whilst every effort is made to produce information and literature that is up to date, this brochure should not be regarded as an infallible guide to the current specifications, nor does it constitute an offer for the sale of any particular product. Product dimensions indicated in our literature is indicative only. Actual product only should be used to define dimension cutouts. Distributors, and retailers are not agents of ARTUSI Appliances and are not authorized to bind ARTUSI Appliances by any express or implied undertaking or representation.

## ASO600RX 60cm slideout rangehood



NB: drawings are not to scale — they are to be used as a guide only

Australia National Telephone Number 1300 649 583 New Zealand Telephone Number 0508 458 369  
ARTUSI showrooms are open daily from 9am-5pm and Saturdays 10am-4pm

[artusi.com.au](http://artusi.com.au)

**NSW & ACT (head office)**

48 Moore Street  
Leichhardt  
02 8569 4699

**VIC | TAS | SA**

1211 Toorak Road  
CAMBERWELL  
03 9809 2155

**QLD**

1/42 Cavendish Road  
COORPAROO  
07 3397 0850

**WA | NT**

10/55 Howe Street  
OSBORNE PARK  
08 9201 9188

**New Zealand**

PO Box 11.160  
Sockburn Christchurch  
03 344 5906