

AO888X

## 60cm built-in double electric oven



TOP OVEN



BOTTOM OVEN



<b>SIZE mm</b>	594W x 888H x 540D + 21mm fascia
<b>FINISH</b>	fingerprint-proof stainless steel
<b>CAPACITY</b>	36 litres (top oven) 65 litres (main oven)
<b>FUNCTIONS</b>	4 + 4 functions
<b>FEATURES</b>	<ul style="list-style-type: none"> <li>• digital timer with touch controls</li> <li>• EVER-Clean enamel interior</li> <li>• thermostat 0-250°C</li> <li>• knob control</li> <li>• flat, easy-clean inner glass door</li> <li>• tangential fan ventilation</li> <li>• 5 cooking levels (main oven)</li> <li>• 2 cooking levels (top oven)</li> </ul>
<b>POWER</b>	4.25 kW/hr total electrical consumption 15 amp electrical connection, hard wired



EAN 9347777000385

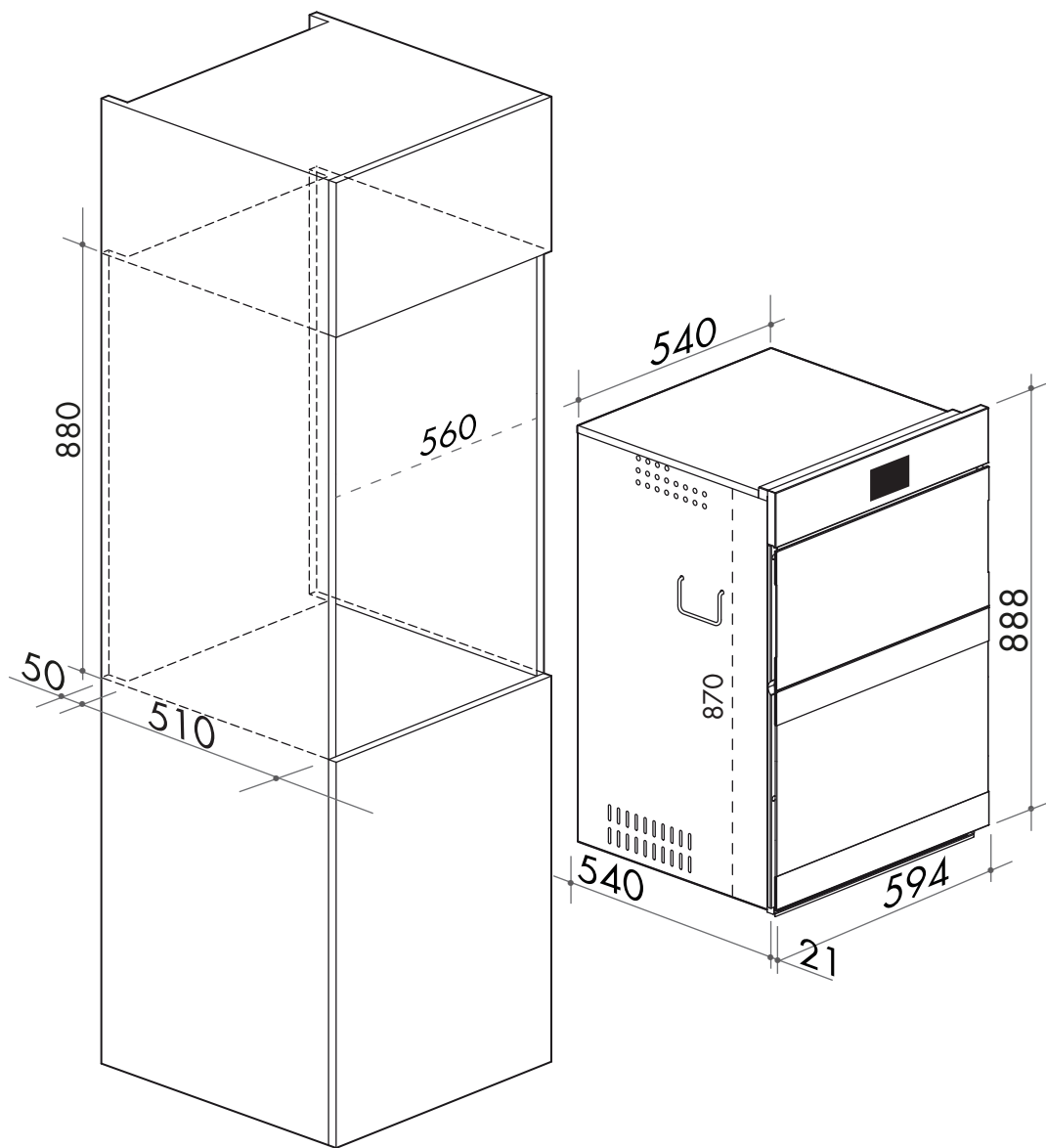
#### DISCLAIMER

Eurolinx PTY LTD is continually seeking ways to improve the design specifications, aesthetics and production techniques of its products. As a result alterations to our products and designs take place continually. Whilst every effort is made to produce information and literature that is up to date, this brochure should not be regarded as an infallible guide to the current specifications, nor does it constitute an offer for the sale of any particular product. Product dimensions indicated in our literature is indicative only. Actual product only should be used to define dimension cutouts. Distributors, and retailers are not agents of Eurolinx and are not authorized to bind Eurolinx by any express or implied undertaking or representation.

AR170317

AO888X

## 60cm built-in double electric oven



NB: drawings are not to scale — they are to be used as a guide only. For detailed installation instructions, please refer to user guide.

Australia National Telephone Number 1300 694 583 New Zealand Telephone Number 0508 458 369  
 ARTUSI showrooms are open daily from 9am-5pm and Saturdays 10am-4pm

[artusi.com.au](http://artusi.com.au)

**NSW & ACT**  
(head office)

48 Moore Street  
 Leichhardt  
 02 8569 4699

**VIC | SA**

1211 Toorak Road  
 CAMBERWELL  
 03 9809 2155

**TASMANIA**

3 Pear Avenue  
 DERWENT PARK 7009  
 03 6272 7386

**QLD**

1/42 Cavendish Road  
 COORPAROO  
 07 3397 0850

**WA | NT**

10/55 Howe Street  
 OSBORNE PARK  
 08 9201 9188

**New Zealand**

PO Box 11.160  
 Sockburn Christchurch  
 03 344 5906