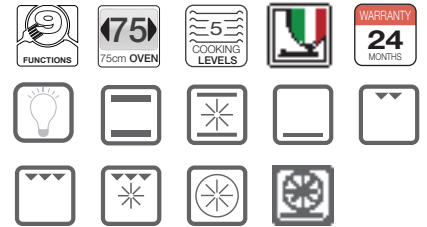


AO750X

75cm built-in electric oven



AO750X 75cm electric oven with programmable timer

- fingerprint-proof stainless steel
- 81 litres
- 9 functions —
- light, top and bottom element, fan assisted, base element, half grill, grill, fan grill, fan forced, pizza
- touch-control programmable oven timer
- EVER-Clean enamel interior
- thermostat 0–250°C
- knob control
- flat, easy-clean inner glass door
- tangential fan ventilation
- 5 cooking levels
- chrome wire shelves



3.5kW/hr total electrical consumption
15 AMP electrical connection, hard wired

EAN 9347777000378

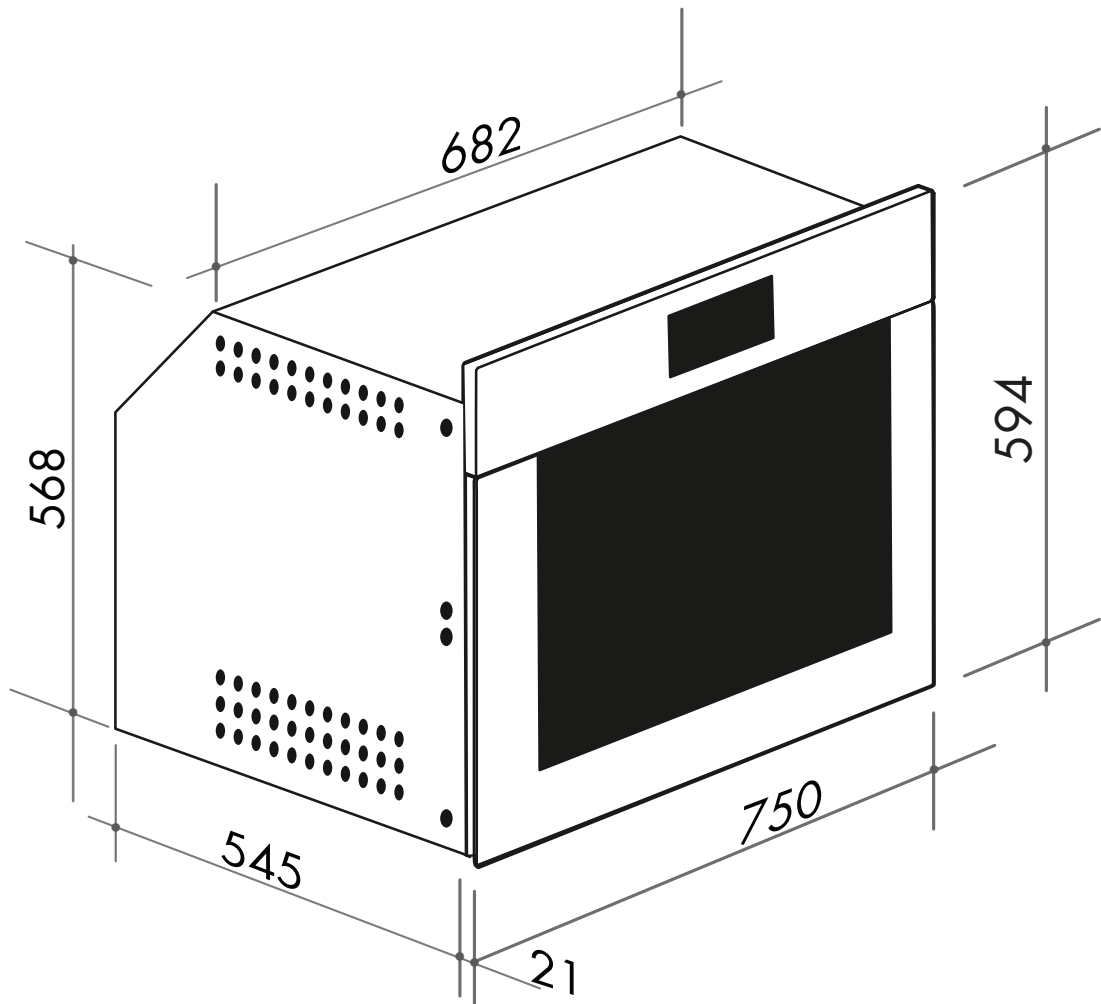
DISCLAIMER

Eurolinx PTY LTD is continually seeking ways to improve the design specifications, aesthetics and production techniques of its products. As a result alterations to our products and designs take place continually. Whilst every effort is made to produce information and literature that is up to date, this brochure should not be regarded as an infallible guide to the current specifications, nor does it constitute an offer for the sale of any particular product. Product dimensions indicated in our literature is indicative only. Actual product only should be used to define dimension cutouts. Distributors, and retailers are not agents of Eurolinx and are not authorized to bind Eurolinx by any express or implied undertaking or representation.

AR111017

AO750X

75cm built-in electric oven



NB: drawings are not to scale — they are to be used as a guide only. For detailed installation instructions, please refer to user guide.

Australia National Telephone Number 1300 694 583 New Zealand Telephone Number 0508 458 369
ARTUSI showrooms are open Tuesday to Friday from 9am-5pm and Saturdays 10am-4pm

artusi.com.au

NSW & ACT
(head office)

48 Moore Street
LEICHHARDT
02 8569 4699

VIC | SA

1211 Toorak Road
CAMBERWELL
03 9809 2155

TASMANIA

3 Pear Avenue
DERWENT PARK 7009
03 6272 7386

QLD

1/42 Cavendish Road
COORPAROO
07 3397 0850

WA | NT

10/55 Howe Street
OSBORNE PARK
08 9201 9188

New Zealand

PO Box 11.160
Sockburn Christchurch
03 344 5906