

AM031TK microwave oven with built-in trimkit



SIZE mm

592W x 430D + 20mm fasciax390H

FINISH

stainless steel exterior and interior

CAPACITY

31 litres

FEATURES

- Easi-tronic operation
- push-button door
- power output 900W
- grill 1200W
- 2 grill levels
- 315mm tempered glass turntable
- 6 auto cook menus
- 5 power settings
- end-cooking signal
- child safety lock
- LED display

POWER

total electrical consumption: 0.9 kW/hr
10 Amp GPO, hard wired

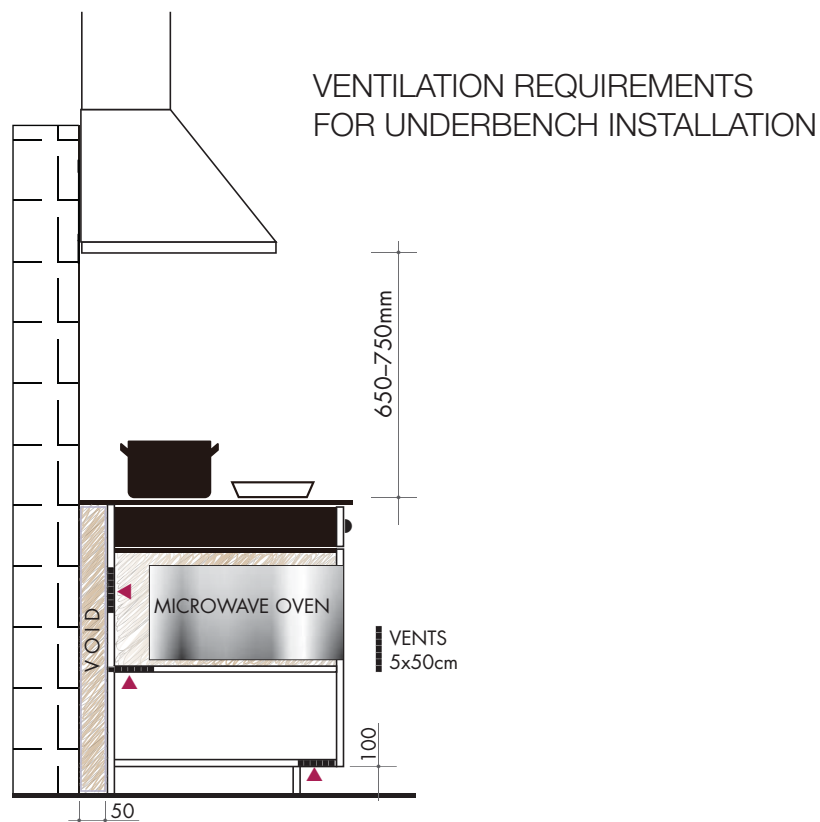
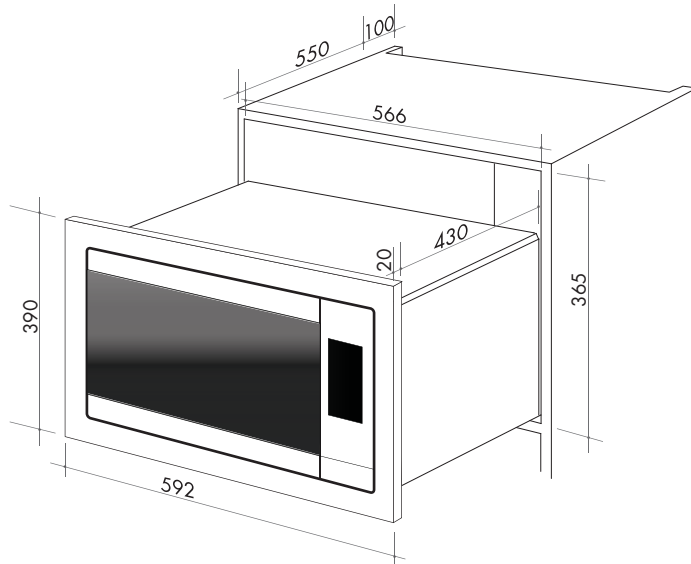


EAN 9347777000712

DISCLAIMER

EuroInx Pty Ltd, trading as ARTUSI Appliances, is continually seeking ways to improve the design specifications, aesthetics and production techniques of its products. As a result alterations to our products and designs take place continually. Whilst every effort is made to produce information and literature that is up to date, this brochure should not be regarded as an infallible guide to the current specifications, nor does it constitute an offer for the sale of any particular product. Product dimensions indicated in our literature is indicative only. Actual product only should be used to define dimension cutouts. Distributors, and retailers are not agents of ARTUSI Appliances and are not authorized to bind ARTUSI Appliances by any express or implied undertaking or representation.

AM031TK microwave oven with built-in trimkit



NB: drawings are not to scale — they are to be used as a guide only

Australia National Telephone Number 1300 649 583 New Zealand Telephone Number 0508 458 369
 ARTUSI showrooms are open daily from 9am-5pm and Saturdays 10am-4pm

artusi.com.au

NSW & ACT (head office)

48 Moore Street
 Leichhardt
 02 8569 4699

VIC | TAS | SA

1211 Toorak Road
 CAMBERWELL
 03 9809 2155

QLD

1/42 Cavendish Road
 COORPAROO
 07 3397 0850

WA | NT

10/55 Howe Street
 OSBORNE PARK
 08 9201 9188

New Zealand

PO Box 11.160
 Sockburn Christchurch
 03 344 5906