

AGH91XFFD

90cm gas cooktop with flame failure device



SIZE mm	909W x 510D x 50H CUTOUT: 840W x 480D	
FINISH	stainless steel	
GAS ENERGY RATING	1 x wok:	3.5 kW/hr
	1x auxiliary:	1.0 kW/hr
	2x semi-rapid:	1.75 kW/hr
	rapid:	3.1 kW/hr
	TOTAL:	11.1 kW/hr



FEATURES	<ul style="list-style-type: none"> • topmount • 5 gas burners, including wok • stainless steel • cast-iron trivets, wok cradle and burner caps • flame failure device fitted to each burner • automatic electronic ignition
-----------------	---

POWER	3-pin plug and cord: 10 amp GPO required
--------------	--



EAN 9347777000668

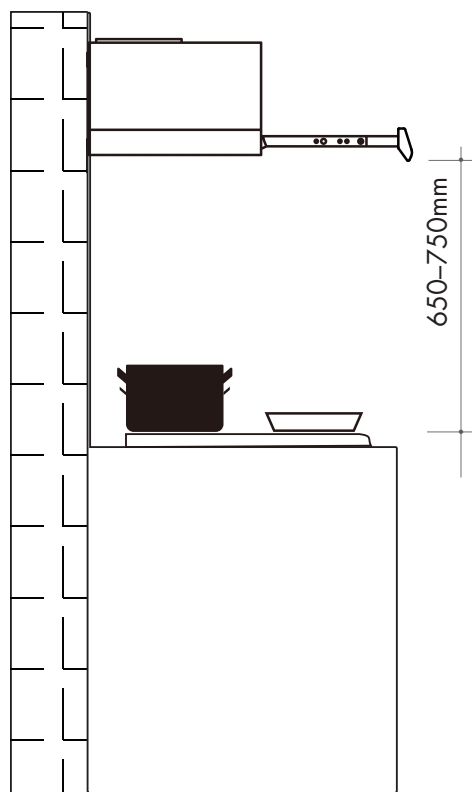
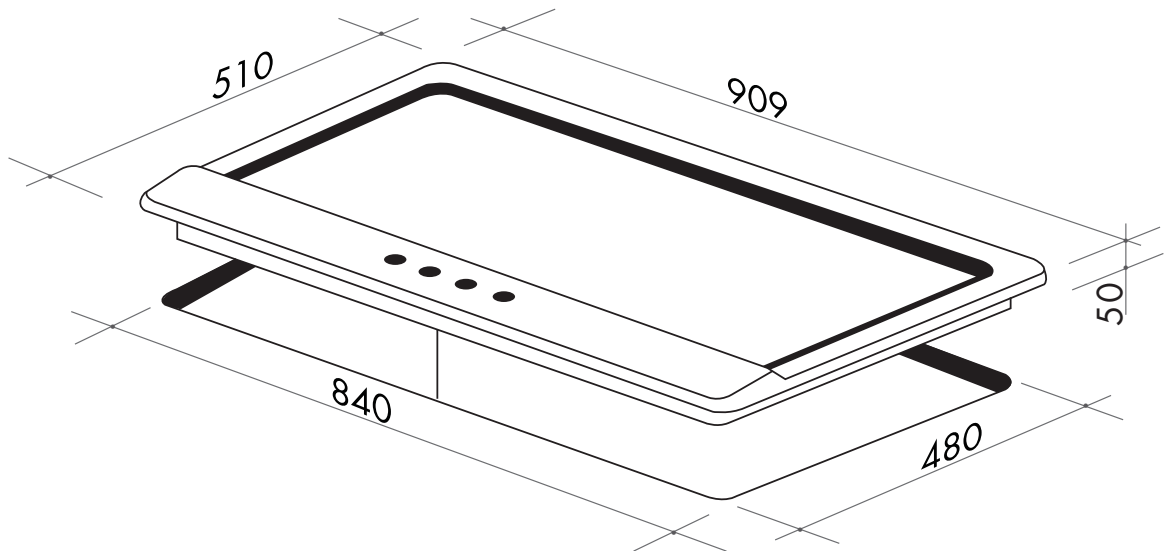
DISCLAIMER

Eurolinx PTY LTD is continually seeking ways to improve the design specifications, aesthetics and production techniques of its products. As a result alterations to our products and designs take place continually. Whilst every effort is made to produce information and literature that is up to date, this brochure should not be regarded as an infallible guide to the current specifications, nor does it constitute an offer for the sale of any particular product. Product dimensions indicated in our literature is indicative only. Actual product only should be used to define dimension cutouts. Distributors, and retailers are not agents of Eurolinx and are not authorized to bind Eurolinx by any express or implied undertaking or representation.

AR071116

AGH91XFFD

90cm gas cooktop with flame failure device



NB: drawings are not to scale — they are to be used . For detailed installation instructions, please refer to user guide.

Australia National Telephone Number 1300 694 583 New Zealand Telephone Number 0508 458 369
 ARTUSI showrooms are open Tuesday to Friday from 9am-5pm and Saturdays 10am-4pm

artusi.com.au

NSW & ACT
(head office)

48 Moore Street
 Leichhardt
 02 8569 4699

VIC | SA

1211 Toorak Road
 CAMBERWELL
 03 9809 2155

TASMANIA

3 Pear Avenue
 DERWENT PARK 7009
 03 6272 7386

QLD

1/42 Cavendish Road
 COORPAROO
 07 3397 0850

WA | NT

10/55 Howe Street
 OSBORNE PARK
 08 9201 9188

New Zealand

PO Box 11.160
 Sockburn Christchurch
 03 344 5913