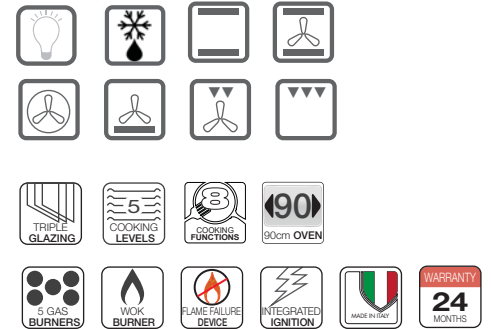


**AFG911B**
**90cm freestanding cooker**


**SIZE mm** 900Wx600Dx860-910H (not including mini splashback)

**FINISH** gloss black + stainless steel

**CAPACITY** 121 litres

**ELECTRIC OVEN**

- FEATURES**
- 8 functions — light, defrost, conventional, fan assisted, fan forced, bakers function, fan grill, static grill
  - triple-glazed glass door
  - easy-to-clean flat glass inner door
  - fan forced
  - electric grill
  - removable oven cavity floor
  - 3 cooking levels
  - baking tray
  - stainless steel pillar legs (internal height adjustment)

**GAS HOB — 5 burners**

	natural gas kW/hr	ULPG kW/hr
2 x semi-rapid	2.6	2.6
1 x auxiliary	1.1	1.05
1 x rapid	2.7	2.7
1 x triple-crown wok	4.2	4.05

cast-iron trivets and burner caps  
 flame failure device fitted to each burner  
 automatic electronic ignition

**POWER** total gas consumption: 13,2 kW/hr  
 total electrical consumption: 3.6 kW/h  
 electrical connection: hard wired  
 220-240V, 50/60Hz

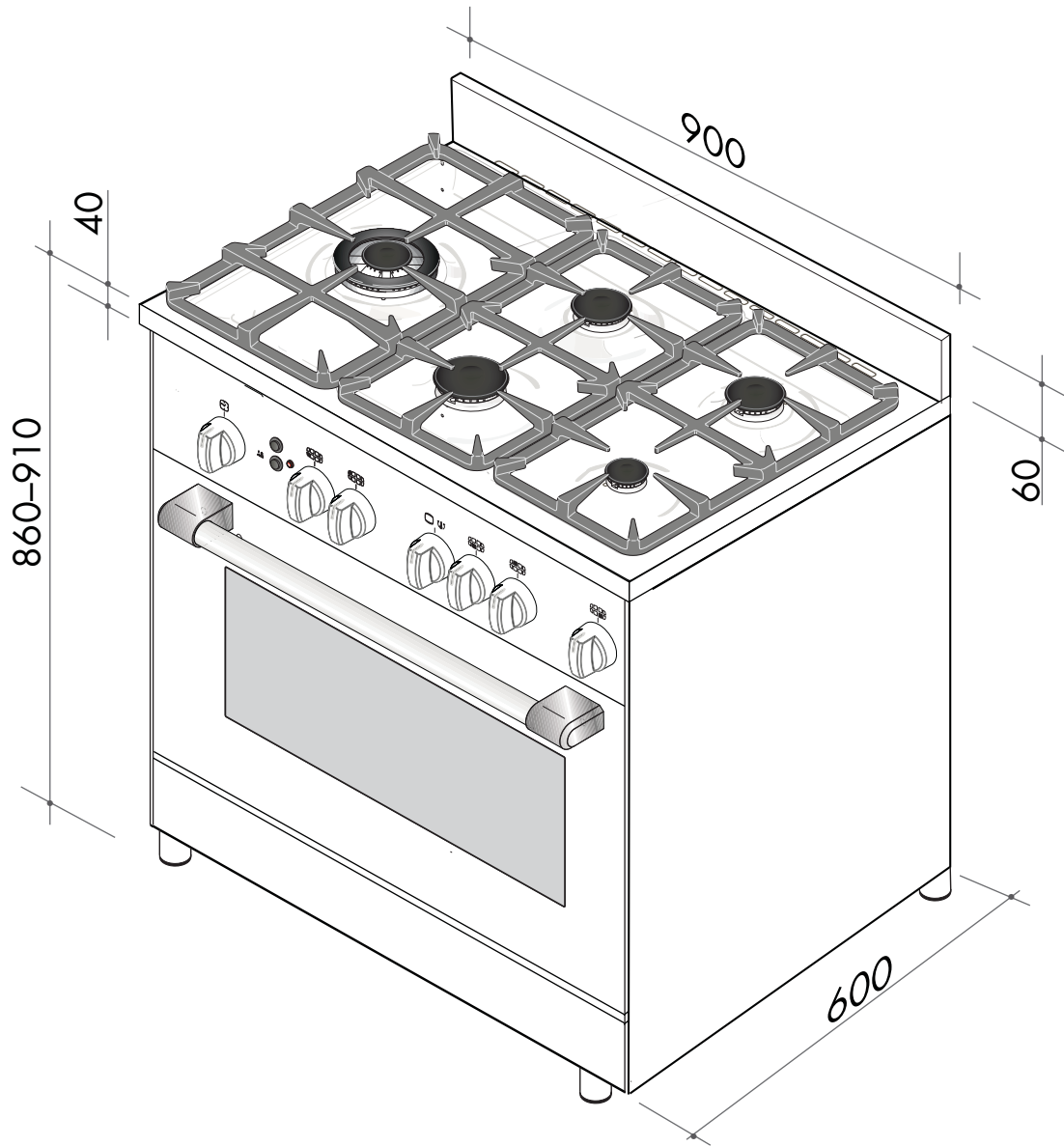

**EAN 9347777001153**
**DISCLAIMER**

Eurolinx PTY LTD is continually seeking ways to improve the design specifications, aesthetics and production techniques of its products. As a result alterations to our products and designs take place continually. Whilst every effort is made to produce information and literature that is up to date, this brochure should not be regarded as an infallible guide to the current specifications, nor does it constitute an offer for the sale of any particular product. Product dimensions indicated in our literature is indicative only. Actual product only should be used to define dimension cutouts. Distributors, and retailers are not agents of Eurolinx and are not authorized to bind Eurolinx by any express or implied undertaking or representation.

AR160217

AFG911B

90cm freestanding cooker



NB: drawings are not to scale — they are to be used . For detailed installation instructions, please refer to user guide.

Australia National Telephone Number 1300 694 583 New Zealand Telephone Number 0508 458 369  
ARTUSI showrooms are open Tuesday to Friday from 9am-5pm and Saturdays 10am-4pm

[artusi.com.au](http://artusi.com.au)

**NSW & ACT**  
(head office)

48 Moore Street  
Leichhardt  
02 8569 4699

**VIC | SA**

1211 Toorak Road  
CAMBERWELL  
03 9809 2155

**TASMANIA**

3 Pear Avenue  
DERWENT PARK 7009  
03 6272 7386

**QLD**

1/42 Cavendish Road  
COORPAROO  
07 3397 0850

**WA | NT**

10/55 Howe Street  
OSBORNE PARK  
08 9201 9188

**New Zealand**

PO Box 11.160  
Sockburn Christchurch  
03 344 5913