

# ADW7000X

# freestanding dishwasher

**SIZE mm**

600Wx580Dx850H

**FINISH**

stainless steel control panel

**CAPACITY**

12 place settings








**FEATURES**

- 1–24 hour delay start
- half load
- height-adjustable top basket
- foldable lower racks & upper basket shelves
- 7 wash programs
- 1800W heating element
- self-clean filter system
- stainless steel tub, grey baskets
- upper and lower spray arms
- natural drying
- 52 dBA
- VDE inlet hose with VEE safety certificate can be used with hot water (70–90°C)
- hot (max 90°C) or cold water connection
- inlet hose: 1800mm | outlet hose: 2000mm

**POWER**

10AMP GPO, standard 3-pin plug and cord; 240V



PROGRAM	TYPE	CYCLE	DETERGENT pre/main gr	DURATION minutes	ENERGY kW/hr	WATER litres	RINSE AID
3in1 	for normally soiled loads such as pots, plates, glasses and lightly soiled pans — standard daily cycle	prewash 50°C wash 50°C rinse 70°C drying	3in1	150	1.2	12	
intensive 	for heaviest soiled loads, eg pots, pans, casserole dishes, and dried-on food	prewash 50°C prewash/wash 65°C rinse/rinse/rinse 55°C drying	5/25	130	1.4	22	√
heavy 	for heavily soiled loads such as pots, plates, glasses and lightly soiled pans	prewash 50°C wash 50°C rinse/rinse 65°C drying	5/25	160	1.2	15	√
normal  (AS/NZS 2007.1)	for normal soiled loads such as plates, glasses, bowls and lightly soiled pans	wash 55°C rinse/rinse 55°C drying	5/25	110	0.90	12.0	√
rinse 	for dishes that need to be rinsed and dried only	prewash wash 40°C rinse/rinse 60°C drying		80	0.8	8	√
rapid 	a shorter wash for lightly soiled loads that do not need drying	wash 40°C rinse/rinse 45°C	20	30	0.45	12	
soak 	to rinse dishes that you plan to wash later that day	prewash		8	0.01	4	

\* AS/NZS 2007.1: Normal Test cycle program

√ Rinse Aid required

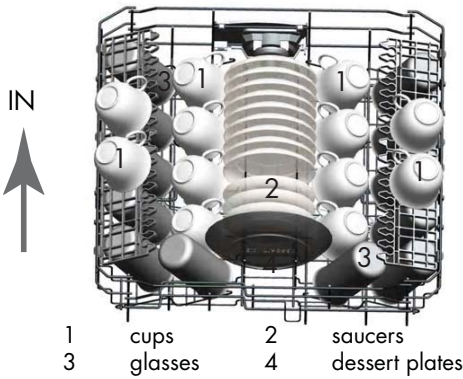
EAN 9347777000781

**DISCLAIMER**

Eurolinx PTY LTD is continually seeking ways to improve the design specifications, aesthetics and production techniques of its products. As a result alterations to our products and designs take place continually. Whilst every effort is made to produce information and literature that is up to date, this brochure should not be regarded as an infallible guide to the current specifications, nor does it constitute an offer for the sale of any particular product. Product dimensions indicated in our literature is indicative only. Actual product only should be used to define dimension cutouts. Distributors, and retailers are not agents of Eurolinx and are not authorized to bind Eurolinx by any express or implied undertaking or representation.

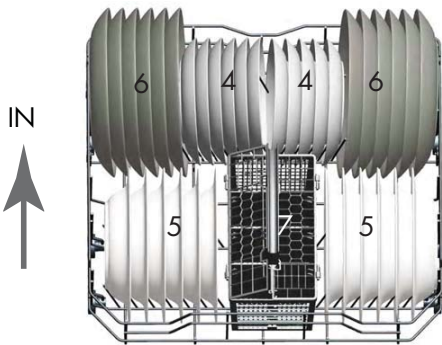
# ADW7000X

# freestanding dishwasher



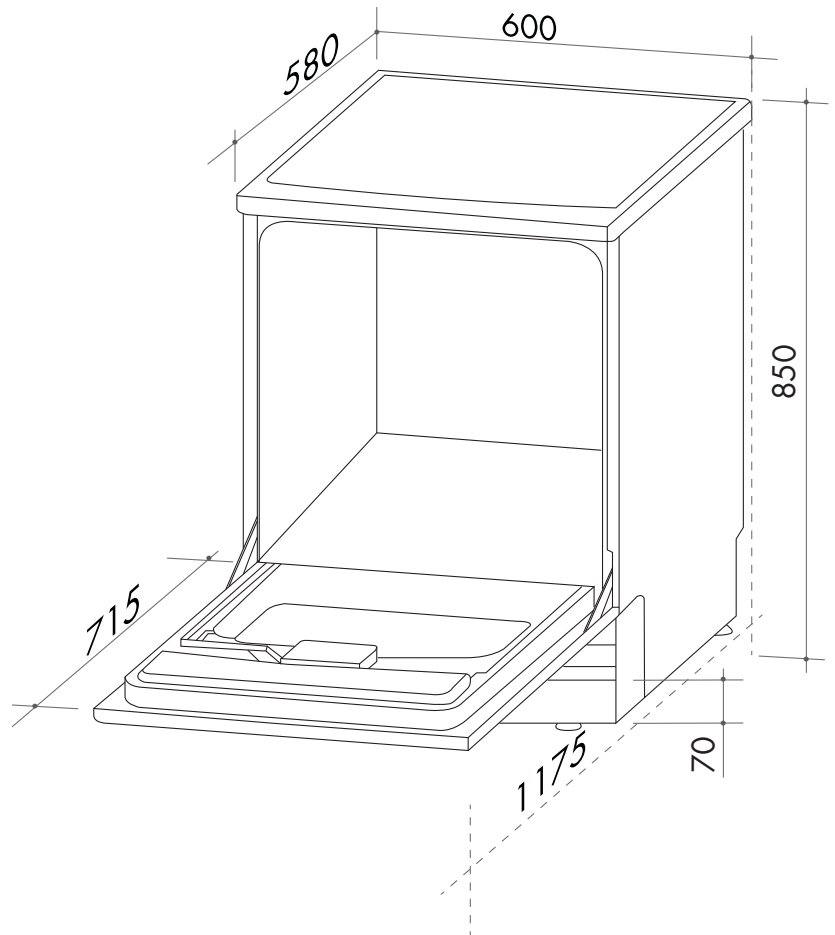
- 1 cups
- 2 saucers
- 3 glasses
- 4 dessert plates

The upper basket is designed to hold more delicate and lighter dishware such as glasses, coffee and tea cups and saucers, as well as small plates and bowls and shallow pans (provided they are not too soiled).



- 4 dessert dishes
- 5 soup plates
- 6 dinner plates
- 7 cutlery

It is suggested that large items, and items that are most difficult to clean, are placed in the lower basket — eg pots, pans, lids, serving dishes etc. It is preferable to place serving dishes and lids on the side of the racks to avoid blocking rotation of the top spray arm.



NB: drawings are not to scale — they are to be used . For detailed installation instructions, please refer to user guide.

Australia National Telephone Number 1300 694 583 New Zealand Telephone Number 0508 458 369  
 ARTUSI showrooms are open daily from 9am-5pm and Saturdays 10am-4pm

[artusi.com.au](http://artusi.com.au)

**NSW & ACT**  
(head office)

48 Moore Street  
 Leichhardt  
 02 8569 4699

**VIC | SA**

1211 Toorak Road  
 CAMBERWELL  
 03 9809 2155

**TASMANIA**

3 Pear Avenue  
 DERWENT PARK 7009  
 03 6272 7386

**QLD**

1/42 Cavendish Road  
 COORPAROO  
 07 3397 0850

**WA | NT**

10/55 Howe Street  
 OSBORNE PARK  
 08 9201 9188

**New Zealand**

PO Box 11.160  
 Sockburn Christchurch  
 03 344 5913