

# ACD45A

# 4.5kg front-load dryer

**SIZE mm**

603W x 445D x 702H

**FINISH**

white enamel

**CAPACITY**

4.5kg

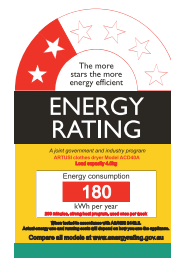
**FEATURES**

- PTC heating element (quick dry)
- stainless steel drum
- automatic overheat cutoff
- easy-to-clean double-layer flint filter
- high-speed rotating turbo fan
- automatic disinfection
- child safety lock
- auto stop when door opened
- upright floor mounted
- upside-down wall mounted
- total dry capacity 4kg
- white enamel
- inner drum speed: 50 rpm
- thermostat: 60°C
- centrifugal blast type motor
- mechanical controls
- input power: 800-1400W
- heating power: 700/1300W
- motor output power: 90W
- <6% residual water
- drying time setting: 0-200 minutes
- external dimensions: 603W x 445D x 702H
- drum dimensions: 560x304mm
- net weight: 20kg
- 4 x removable 30mmH legs
- spacer
- direct ducting: rear vent for optional fitting of supplied flexible ducting kit
- one-way drum rotation

**POWER**

220-240 V, 50Hz

2.2m power cord with 3-pin 10 amp plug



DRYING CAPACITY	DRYING TIME	
	Regular (minutes)	Airing (minutes)
approx 1kg	approx 30	approx 55
approx 2kg	approx 60	approx 110
approx 3kg	approx 120	
approx 4kg	approx 200	



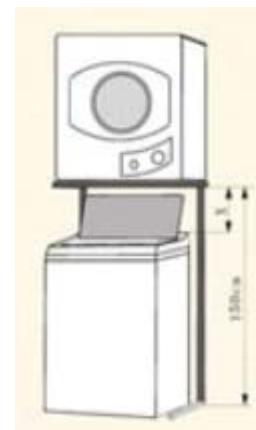
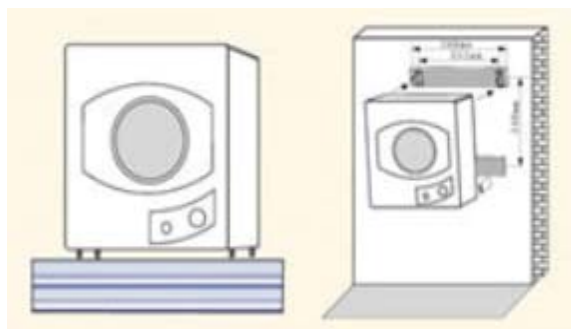
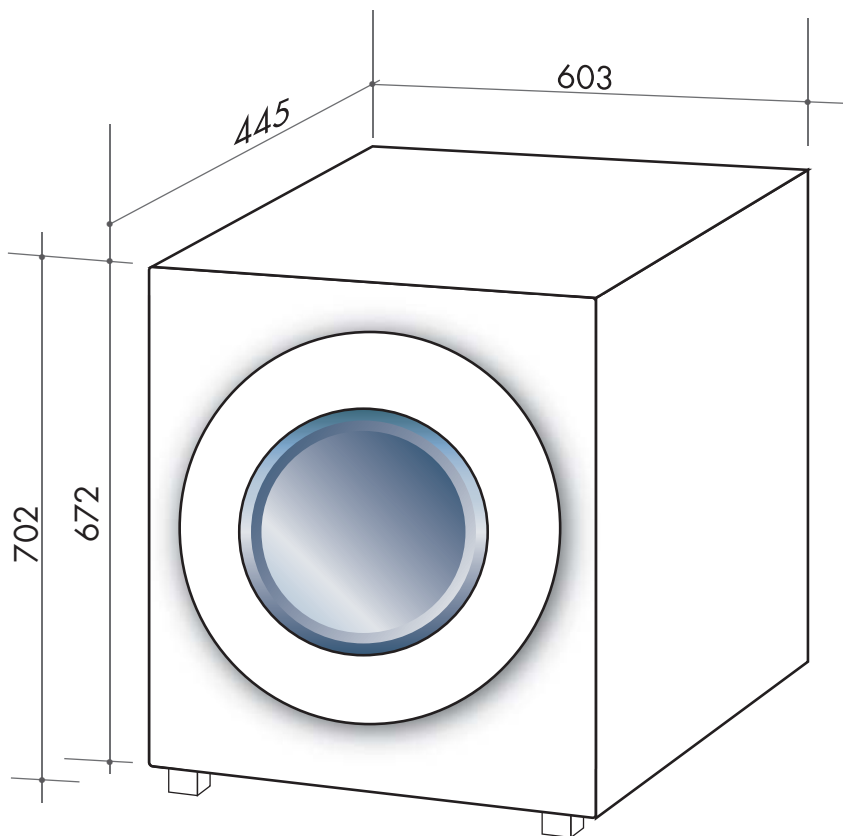
EAN 9347777000910

**DISCLAIMER**

Eurolinx PTY LTD is continually seeking ways to improve the design specifications, aesthetics and production techniques of its products. As a result alterations to our products and designs take place continually. Whilst every effort is made to produce information and literature that is up to date, this brochure should not be regarded as an infallible guide to the current specifications, nor does it constitute an offer for the sale of any particular product. Product dimensions indicated in our literature is indicative only. Actual product only should be used to define dimension cutouts. Distributors, and retailers are not agents of Eurolinx and are not authorized to bind Eurolinx by any express or implied undertaking or representation.

ACD45A

4.5kg front-load dryer



NB: drawings are not to scale — they are to be used . For detailed installation instructions, please refer to user guide.

Australia National Telephone Number 1300 694 583 New Zealand Telephone Number 0508 458 369  
 ARTUSI showrooms are open Tuesday to Friday from 9am-5pm and Saturdays 10am-4pm

[artusi.com.au](http://artusi.com.au)

**NSW & ACT**  
(head office)

48 Moore Street  
 Leichhardt  
 02 8569 4699

**VIC | SA**

1211 Toorak Road  
 CAMBERWELL  
 03 9809 2155

**TASMANIA**

3 Pear Avenue  
 DERWENT PARK 7009  
 03 6272 7386

**QLD**

1/42 Cavendish Road  
 COORPAROO  
 07 3397 0850

**WA | NT**

10/55 Howe Street  
 OSBORNE PARK  
 08 9201 9188

**New Zealand**

PO Box 11.160  
 Sockburn Christchurch  
 03 344 5913