

# MODEL ACD45A



4.5KG FRONT LOAD DRYER



## PRODUCT INFORMATION

- white enamel
- 4.5kg dry weight capacity
- PTC heating element (quick dry)
- stainless steel drum
- automatic overheat cut off
- easy-to-clean double-layer flint filter
- high-speed rotating turbo fan
- automatic disinfection
- child safety lock
- auto stop when door opened
- upright floor / upside-down wall mounted
- inner drum speed: 50 rpm
- thermostat: 60°C
- centrifugal blast type motor
- noise rating: 47 dBA
- input power: 800–1400W
- heating power: 700/1300W
- motor output power: 90W
- <6% residual water
- drying time setting: 0–200 minutes
- drum dimensions: Ø560x304mm
- direct ducting: rear vent for optional fitting of supplied flexible ducting kit
- one-way drum rotation



| DRYING CAPACITY | DRYING TIME       |                  |
|-----------------|-------------------|------------------|
|                 | Regular (minutes) | Airing (minutes) |
| approx 1kg      | approx 30         | approx 55        |
| approx 2kg      | approx 60         | approx 110       |
| approx 3kg      | approx 120        |                  |
| approx 4kg      | approx 200        |                  |



EAN 9347777000910

AR210818

### DISCLAIMER

Eurolinx PTY LTD, is continually seeking ways to improve the design specifications, aesthetics and production techniques of its products. As a result alterations to our products and designs take place continually. Whilst every effort is made to produce information and literature that is up to date, this brochure should not be regarded as an infallible guide to the current specifications, nor does it constitute an offer for the sale of any particular product. Product dimensions indicated in our literature is indicative only. Actual product only should be used to define dimension cut outs. Distributors, and retailers are not agents of Eurolinx and are not authorized to bind Eurolinx by any express or implied undertaking or representation.

ARTUSI SHOWROOMS ARE OPEN TUESDAY TO FRIDAY FROM 9AM-5PM AND SATURDAYS 10AM-4PM (MELBOURNE TUE-SAT 9.30AM - 4PM)

NSW & ACT  
(HEAD OFFICE)48 MOORE STREET  
LEICHHARDT

VIC | SA

1211 TOORAK ROAD  
CAMBERWELL

TASMANIA

3 PEAR AVENUE  
DERWENT PARK

QLD

1/42 CAVENDISH ROAD  
COORPAROO

WA | NT

10/55 HOWE STREET  
OSBORNE PARK

NEW ZEALAND

CHRISTCHURCH  
P. 03 344 5913  
ARTUSI.CONZ

P: 1300 649 583

ARTUSI.COM.AU

# MODEL ACD45A

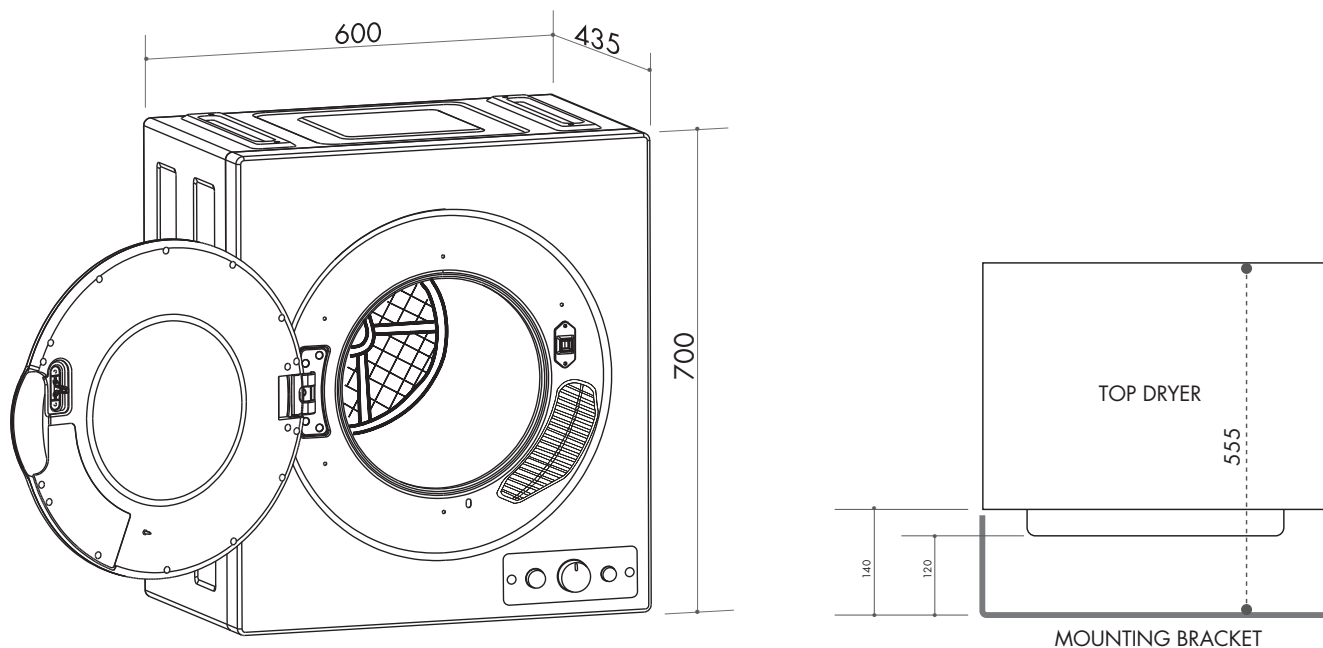


4.5KG FRONT LOAD DRYER

60CM  
WIDE

WARRANTY  
24  
MONTHS

## TECHNICAL DIAGRAM



NB: for more detailed information, please refer to the operations manual or contact Artusi

NB: drawings are not to scale — they are to be used for detailed installation instructions, please refer to user guide.

**EAN 9347777000910**

AR200818

### DISCLAIMER

Eurolinx PTY LTD, is continually seeking ways to improve the design specifications, aesthetics and production techniques of its products. As a result alterations to our products and designs take place continually. Whilst every effort is made to produce information and literature that is up to date, this brochure should not be regarded as an infallible guide to the current specifications, nor does it constitute an offer for the sale of any particular product. Product dimensions indicated in our literature is indicative only. Actual product only should be used to define dimension cut outs. Distributors, and retailers are not agents of Eurolinx and are not authorized to bind Eurolinx by any express or implied undertaking or representation.

ACD45A dryer  
600W x 435D x 700H  
220–240 V, 50Hz  
2.2m power cord with 3-pin 10 AMP plug  
net weight: 20kg

ARTUSI SHOWROOMS ARE OPEN TUESDAY TO FRIDAY FROM 9AM-5PM AND SATURDAYS 10AM-4PM (MELBOURNE TUE-SAT 9.30AM - 4PM)

NSW & ACT  
(HEAD OFFICE)

48 MOORE STREET  
LEICHHARDT

VIC | SA

1211 TOORAK ROAD  
CAMBERWELL

TASMANIA

3 PEAR AVENUE  
DERWENT PARK

QLD

1/42 CAVENDISH ROAD  
COORPAROO

WA | NT

10/55 HOWE STREET  
OSBORNE PARK

NEW ZEALAND

CHRISTCHURCH  
P. 03 344 5913  
ARTUSI.CONZ

P: 1300 649 583

ARTUSI.COM.AU